



ALARMS & INDICATION

PANELPILOT SMART GRAPHICAL DISPLAY SGD-24, -28

DESCRIPTION

The Lascar Electronics SGD-24, -28 Series PanelPilot Smart Graphics Display is a configurable panel-mount analog input display with selectable graph colors, input signal scales, and meter display types. It can be used to display any proportional control or transmitter signal represented by an analog voltage signal between 0 to 40 VDC. It is easily and quickly field-configured using simple software, via a USB cable, or is available preconfigured from Kele. It has a customizable splash screen and comes in a 2.4" or 2.8" screen size. A NEMA 4X enclosure is also available which can house one or two displays, preassembled at Kele or separately available for field installation.

FEATURES

- 2.4" or 2.8" color TFT-LCD screen for high visibility
- Free PanelPilot software saves money
- Simple USB cable connection for quick setup
- 6 standard meter types, selectable colors, scales, and labels for display flexibility
- Splash screen accepts common picture files and allows customization
- Snap-in panel mount for fast installation
- NEMA 4X enclosure option with single or double display mounting

NEW!



SGD-28-M-C-E



SGD-28-M

APPLICATION

- Temperature
- Humidity
- Pressure
- Air quality
- Valve or damper position
- Air or water flow
- Water level
- Light level
- Motor speed
- Any 4-20 mA or 0-10 VDC transmitter signal



METER CHOICES

Selectable at time of order or in the field:



SPECIFICATIONS

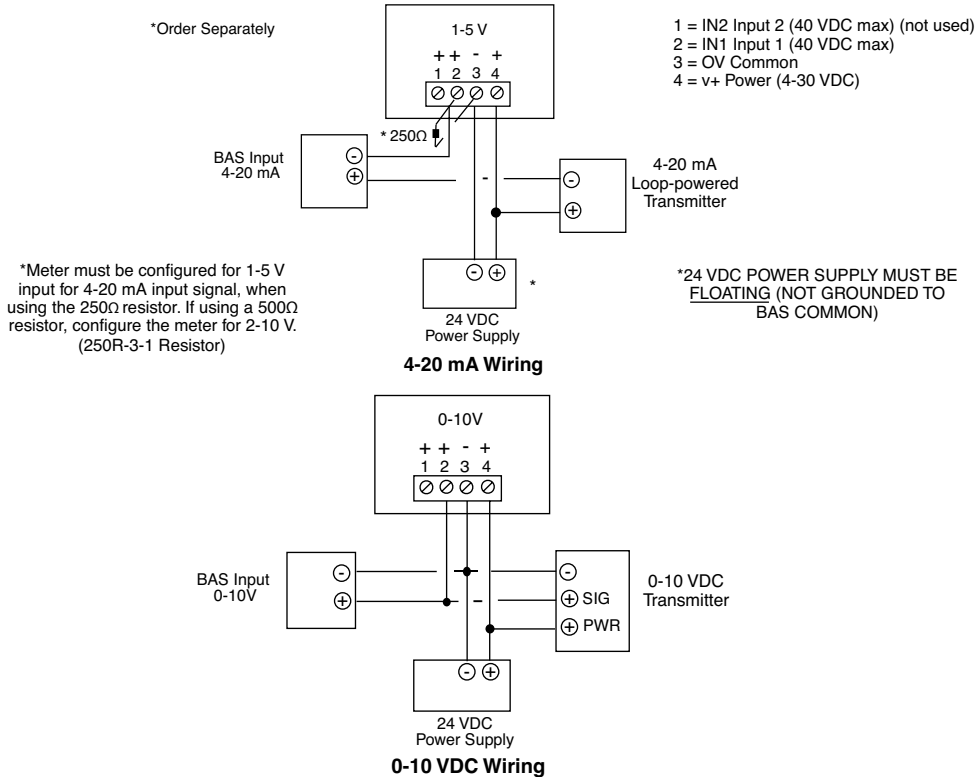
Supply Voltage	4 to 30 VDC @ 35 mA	Operating Temperature	32° to 104°F (0° to 40°C)
Accuracy	0.05% typical, 0.1% maximum	Additional Specifications	Meter choices- Bar graph, analog needle, digital readout, combinations
Input Signal	0/2-10 VDC, 4-20mA (with resistor) 0-40 VDC max	Enclosure Rating	NEMA 1 standard NEMA 4X optional
Wire Type	Screw terminals, 16 to 26 AWG	Dimensions	
Display Type	Thin Film Transistor (TFT) LCD	SGD-24	1.9"H x 3.0"W x 0.7"D (4.8 x 7.6 x 1.8 cm)
SGD-24	2.4 inch diagonal 320 x 240 pixels, 16-bit color	SGD-28	2.2"H x 3.5"W x 0.8"D (5.7 x 8.9 x 1.9 cm)
SGD-28	2.8 inch diagonal 320 x 240 pixels, 16-bit color	NEMA 4X enclosure	6.0"H x 6.0"W x 3.0"D (15.2 x 15.2 x 7.6 cm)
Interface	Compatible with Windows XP, 2000, Vista, Windows 7, mini USB cable connection	Weight	
Sample Intervals	3 samples per second	SGD-24	0.11 lb (0.05 Kg)
Panel Cutout		SGD-28	0.14 lb (0.06 Kg)
SGD-24	1.81"H x 2.91"W (4.60 x 7.40 cm) 0.11" (3 mm) maximum panel thickness	Approvals	CE, RoHS
SGD-28	2.15"H x 3.43"W (5.45 x 8.70 cm) 0.11" (3 mm) maximum panel thickness	Warranty	1 year

ALARMS & INDICATION

PANELPILOT SMART GRAPHICAL DISPLAY SGD-24, -28



WIRING



2

ALARMS & INDICATION

ORDERING INFORMATION

Note: Custom Calibrated Panels (-C), require completion of the panel configuration worksheet. Worksheet available on Kele website www.kele.com

MODEL	DESCRIPTION
SGD-24-M	Smart Graphics Display, 2.4 inch
SGD-24-M-C	Smart Graphics Display, 2.4 inch, custom calibrated
SGD-24-M-C-E	Smart Graphics Display, 2.4 inch, calibrated, enclosure
SGD-24-M-C-XK	Smart Display, 2.4 inch, calibrated, custom graphic
SGD-24-M-C-XK-E	Smart Display, 2.4 inch, calibrated, custom graphic, enclosure
SGD-24-M-CEDBL	Smart Display, 2.4 inch, calibrated, enclosure, double
SGD-24-MCXKEDBL	Smart Display, 2.4 inch, calibrated, custom graphic, enclosure, double
SGD-28-M	Smart Graphics Display, 2.8 inch
SGD-28-M-C	Smart Graphics Display, 2.8 inch, custom calibrated
SGD-28-M-C-E	Smart Graphics Display, 2.8 inch, calibrated, enclosure
SGD-28-M-C-XK	Smart Display, 2.8 inch, calibrated, custom graphic
SGD-28-M-C-XK-E	Smart Display, 2.8 inch, calibrated, custom graphic, enclosure
SGD-28-M-CEDBL	Smart Display, 2.8 inch, calibrated, enclosure, double
SGD-28-MCXKEDBL	Smart Display, 2.8 inch, calibrated, custom graphic, enclosure, double

ACCESSORIES

USB-A-MF	USB Cable Type A TO Mini B (Required for field calibration)
250R-3-1	250 OHM 3 WATT 1% Resistor Long Leads (Required for field calibration)
SFP66-258E	Panel for SGD-24, single
SFP66-258F	Panel for SGD-24, double
SFP66-258C	Panel for SGD-28, single
SFP66-258D	Panel for SGD-28, double
P6063C-P258	6x6x3 NEMA4X Encl Clear Hinge Cover w/ SOPK Kit

RELATED PRODUCTS

DCPA-1.2	Power supply, 120 VAC IN to 24 VAC/24 VDC OUT
DGP-1.5-W	Power supply, 24 VAC IN to 24 VDC OUT